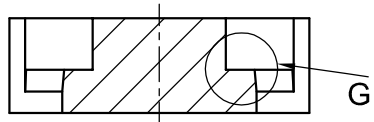
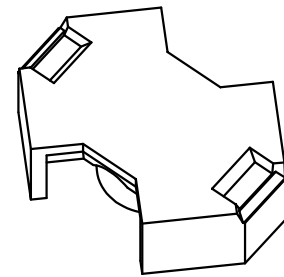
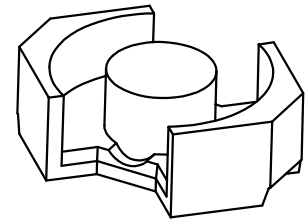
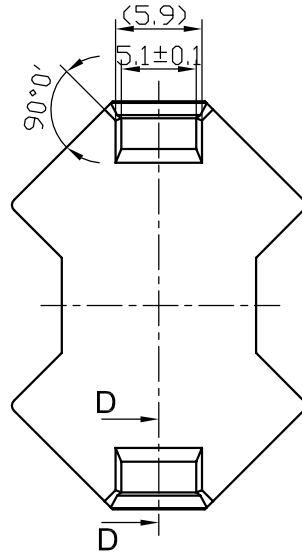
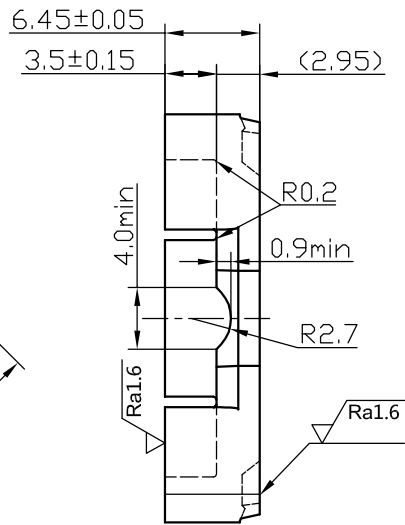
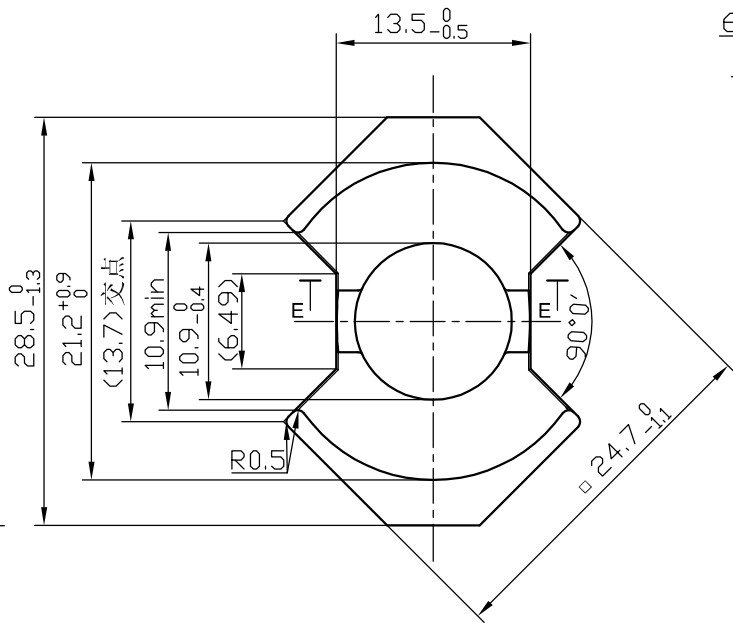
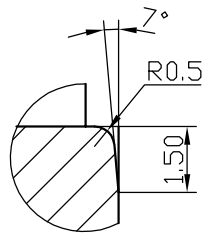


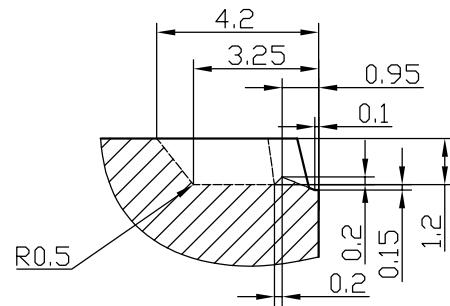
REVISION HISTORY			
Rev	DESCRIPTION	DATE	APPROVED



Section E-E



Detail G



Section D-D

	Scale	2:1	Material	Customer Part number	
	Unit:	Standard tolerances		RM-10/ILP	
mm	±0.1	Product Name		RM-10S-12.9	
Approved by	Created by	Document type	Rev	Drawing No.	
Y.Higuchi	Jh.Huang	Production drawing	00	PY180421M02	
Hitachi Metals (Hong kong) Ltd. Panyu Factory			Date of issue	Sheet	
			APR 21 2018	1/1	